

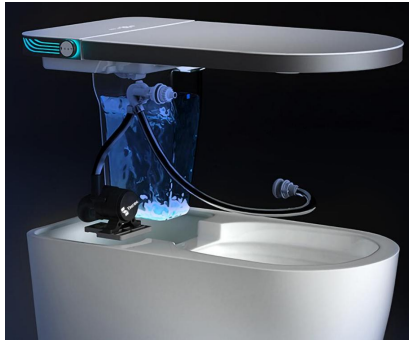
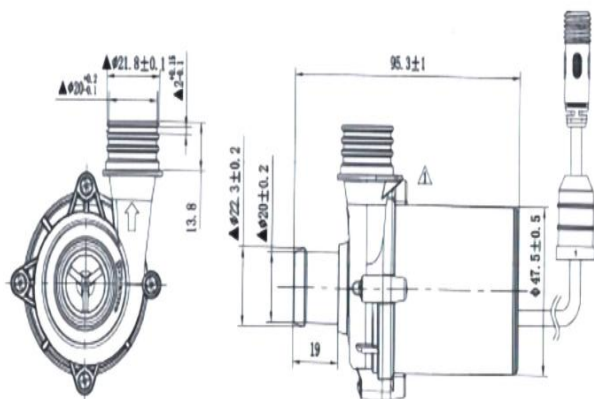
BLDC PUMP
CWPO40
SPECIFICATION


Rated Voltage	12V DC
Rated Current	3.92 (1±10%) A
Rated Power	47 (1±10%) W
Max Flow	37 (1±15%) L/min
Max Head	10.5 ± 1M
Noise	≅ 40dB@1m
Lifetime	≅ 200,000 Times

Ambient Temperature	-25~55°C
Medium Temperature	0~50°C
Ambient Humidity	Submersible
Medium	Water
Waterproof Class	IP68
Insulation	F (155°C)
Weight	271g ± 10

APPLICATION

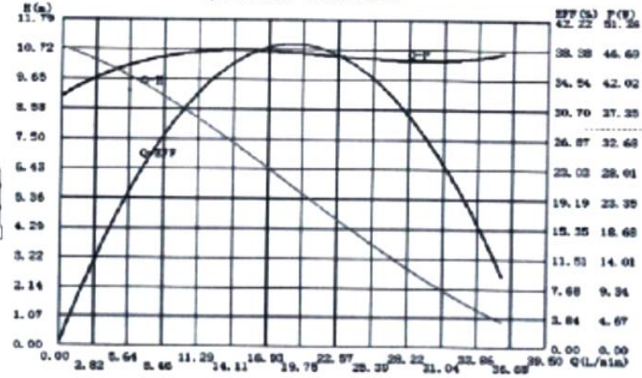
- Smart toilet
- Water heater
- Liquid transfer
- Electric Vehicle
- Ice Maker
- Water Dispenser
- Aquarium
- Motorcycle
- Heating system
- Computer Cooling
- LED cooling
- Gas boiler
- HVAC system
- General purpose pumping
- Boosting application
- Home circulating system


DIMENSION & CURVE


Q-EFF: Flow efficiency curve

Q-H: Lift flow curve

Q-P: Power flow curve


 Visit our site for more details: www.thermopumpfactory.com

 For more further info, please mail to richel@auto-thermo.com


+ 86 138 5997 0585